

EXTRA VIRGIN OLIVE OIL "TIERRAS DE JAÉN TJ"



FLOS
OLEI
2012

PRODUCT FEATURES:

“**Tierras de Jaén TJ**” Extra Virgin Olive Oil, acidity max. 0,3°.

Variety Picual 100%.

EAN-13 Code 500 mL: 8437000236245

EAN-13 Code 250 mL: 8437000230276

TASTING NOTES:

A highly intense, fruity oil, with many green aromas, showing itself to be an oil with great character when passing through the mouth, with a gentle entry, followed by the progression of its bitter attribute, emphasising its high quality even more, making it unique and different to any other conventional oil, full of virtues and goodness.

FORMATS:

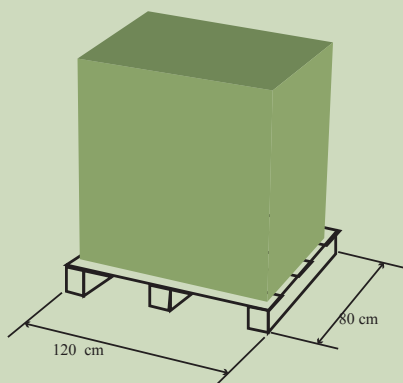
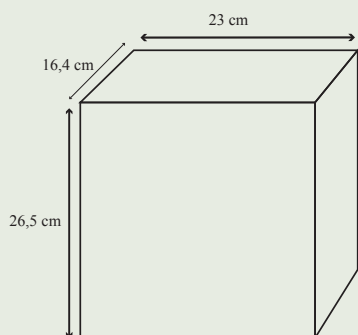
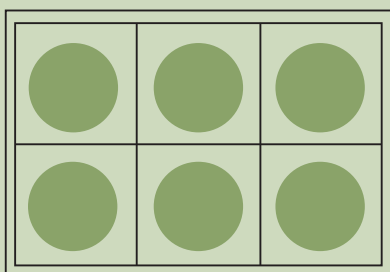
Formats, 500 mL glass bottles and 250 mL glass bottles.

EXPIRY AND STORAGE:

Expiration date; 12 months. Keep away from light and heat.

PACKAGING:

500 mL



Boxes/Pallet

120

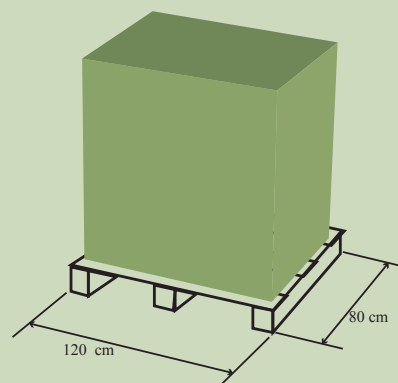
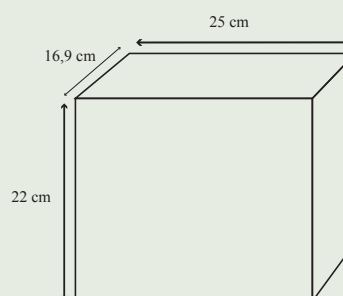
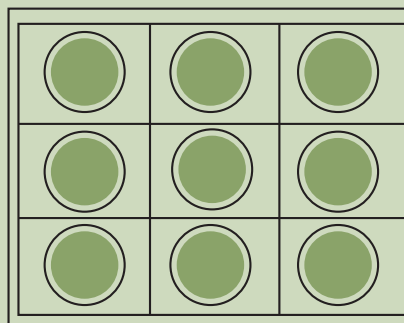
Boxes/Row

24

Height/Pallet

5

250 mL



Boxes/Pallet

114

Boxes/Row

19

Height/Pallet

6